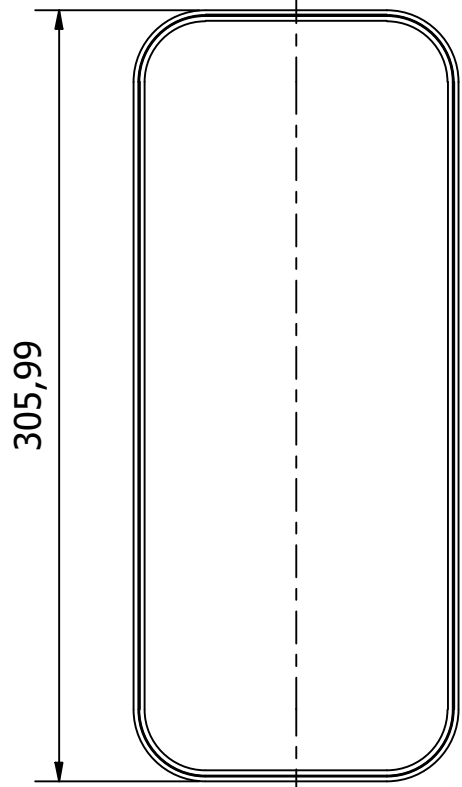
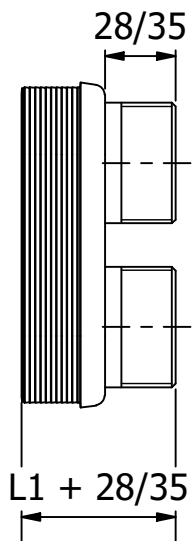
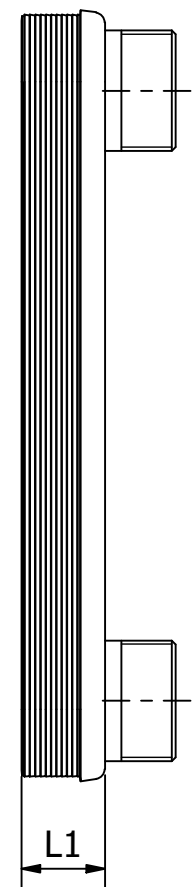
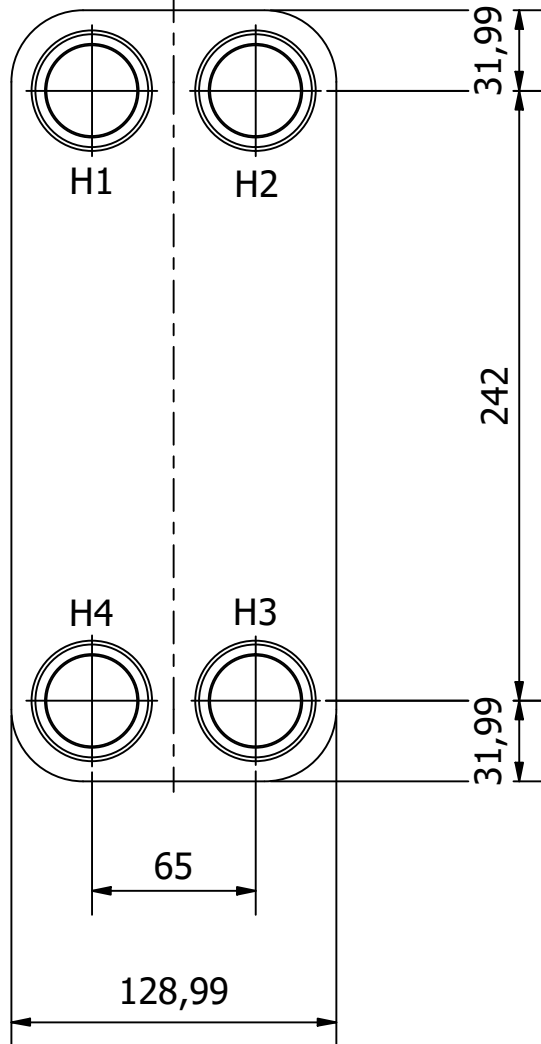


FEMALE PIPE THREAD ISO 7-R 3/4"

FEMALE PIPE THREAD ISO 7-R 1"
PIPE THREAD ISO 7-R 1"

FEMALE PIPE THREAD ISO 7-R 1 1/4"
PIPE THREAD ISO 7-R 1 1/4"

PIPE THREAD ISO 7-R 1 1/2"



$$L1 = (N \times 2,1) + 9\text{mm}$$

Dimensions without tolerance: ISO 2768-m ISO projektion	Designed by dala	Date 21-05-2021	Rev. no. 00	Rev. by	Material	Weight
	Revision Text				Description: SFB31 BRAZED DIMENSIONAL DRAWING CONNECTIONS 3/4" - 1 1/2" (Ø45mm)	
			Nordager 25 DK-6000 Kolding		Scale 1 : 3	Sheet A3
			Drawing no. SFB31 DIM. DRAW		Sheet 1/1	