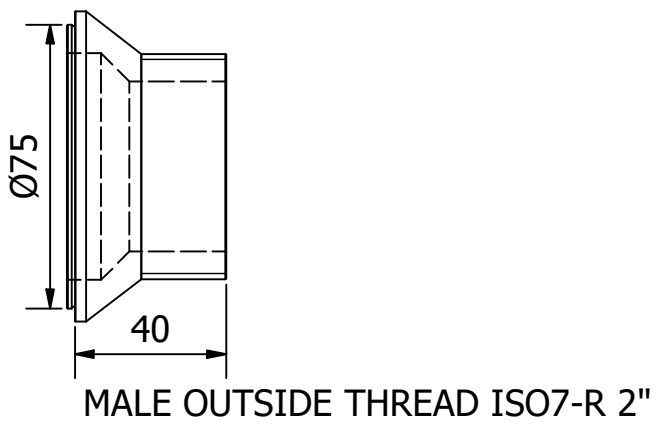
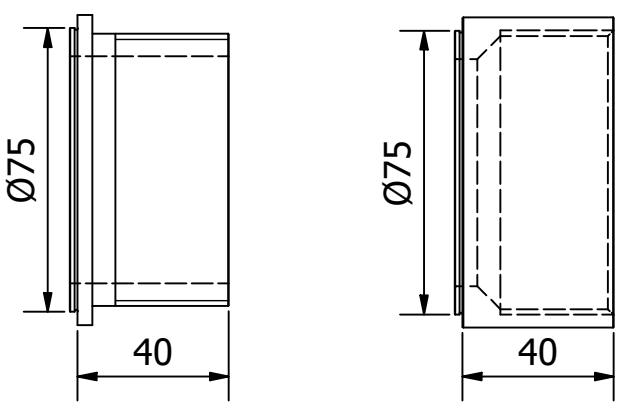


6 5 4 3 2 1

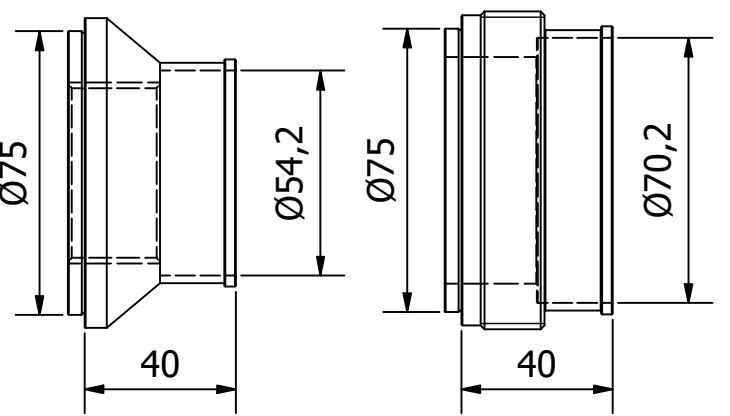
D



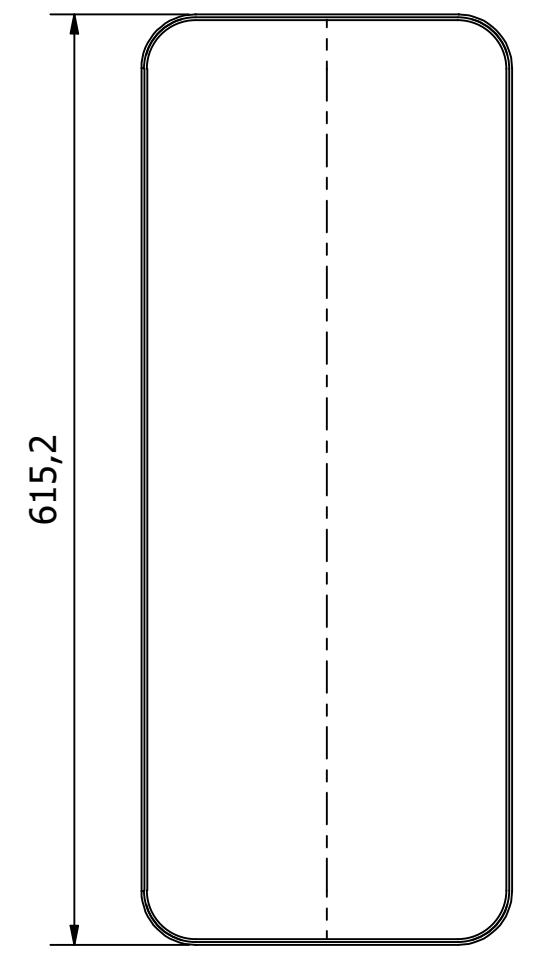
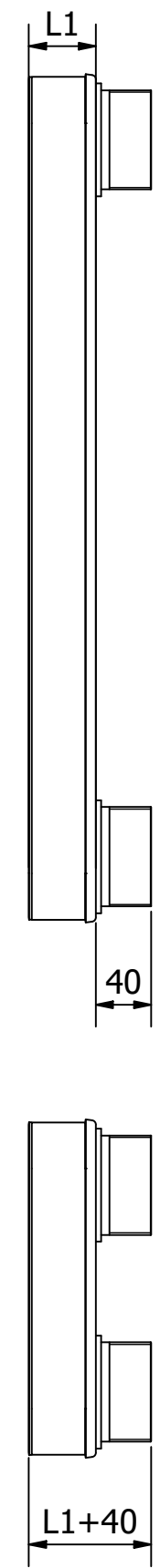
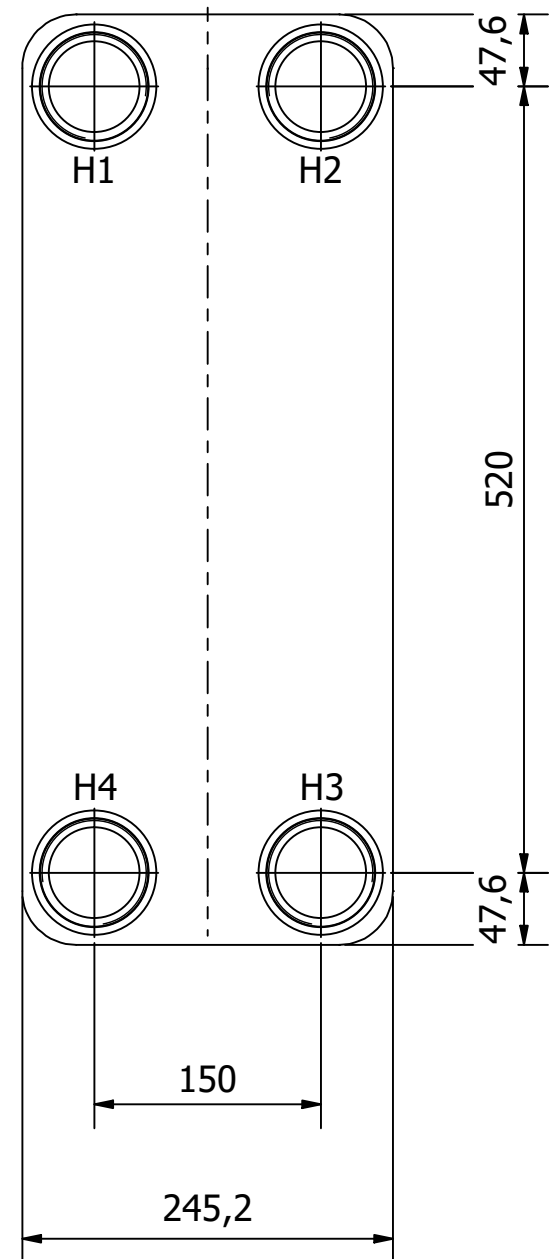
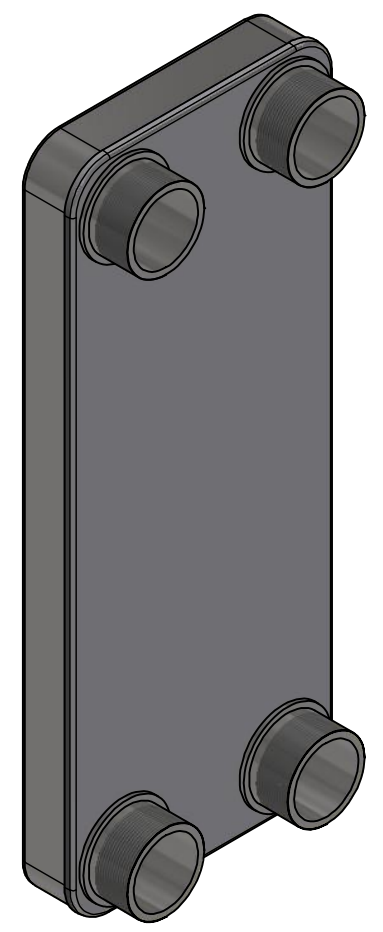
C



B



Ø54,2 PIPE BRAZING CONNECTION
Ø70,2 PIPE BRAZING CONNECTION



$L1 = (N \times 2,6) + 9,5$

A

Dimensions without tolerance: ISO 2768-m ISO projektion 	Designed by kab	Date 25-06-2021	Rev. no. 00	Rev. by	Material	Weight 14,0 kg
	Revision Text				Description: SFB61 BRAZED DIMENSIONAL DRAWING CONNECTIONS 2" - 2 1/2" (Ø75mm)	
Nordager 25 DK-6000 Kolding		Scale 1 : 5	Sheet A3	Drawing no. SFB61 DIM. DRAWING		Sheet 1/1

6 5 4 3 2 1