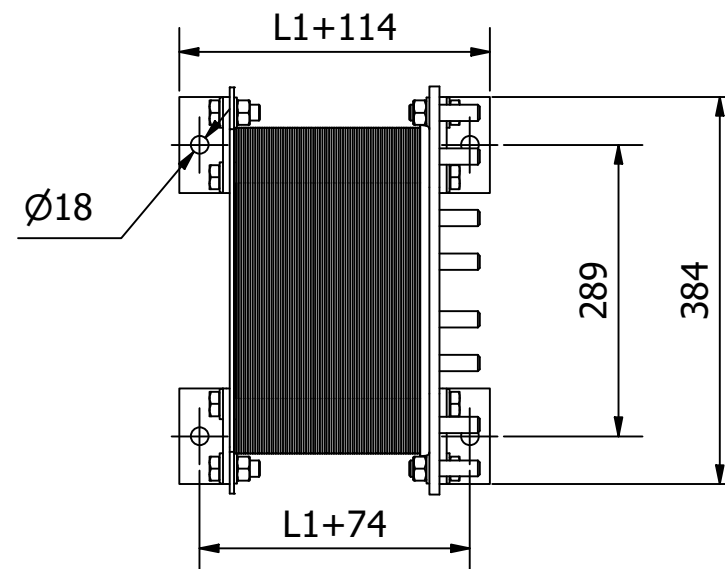
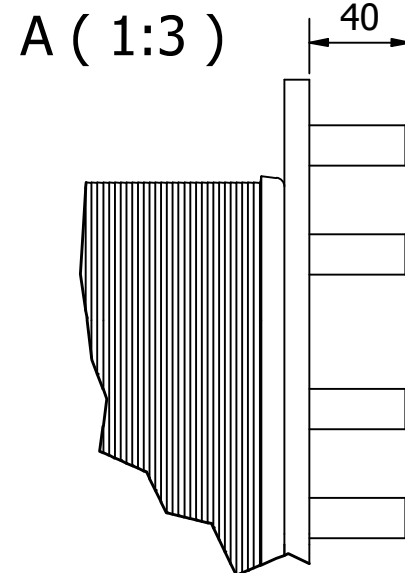
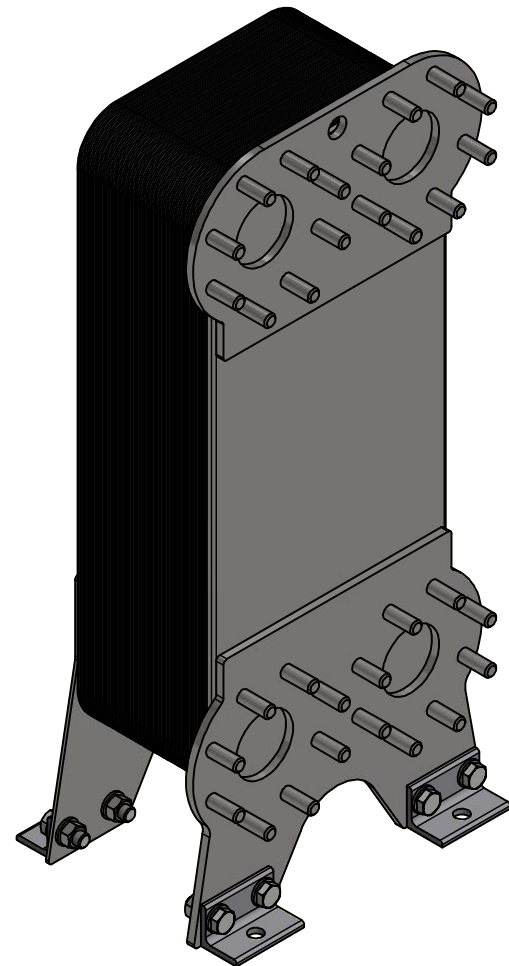
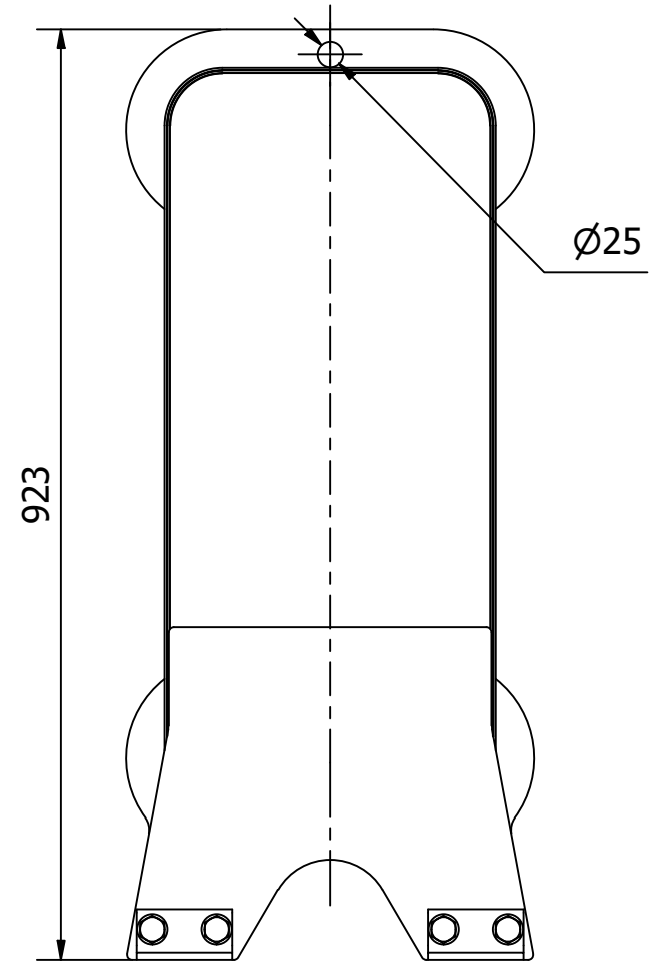
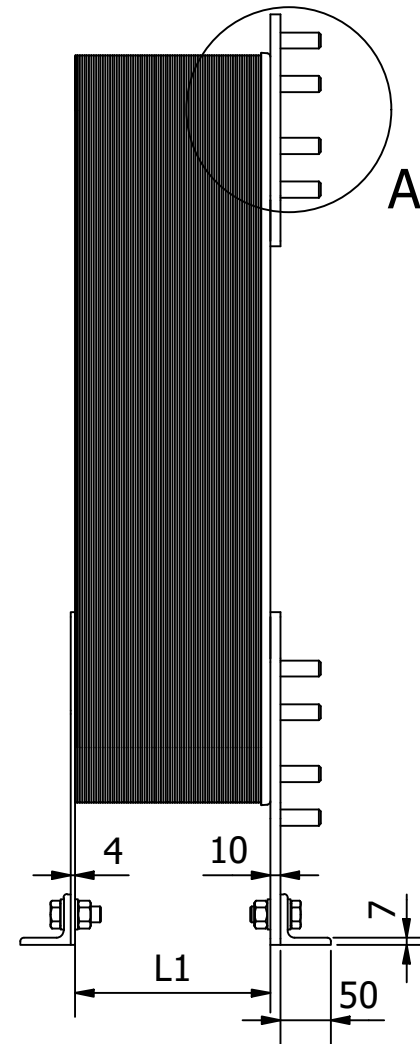
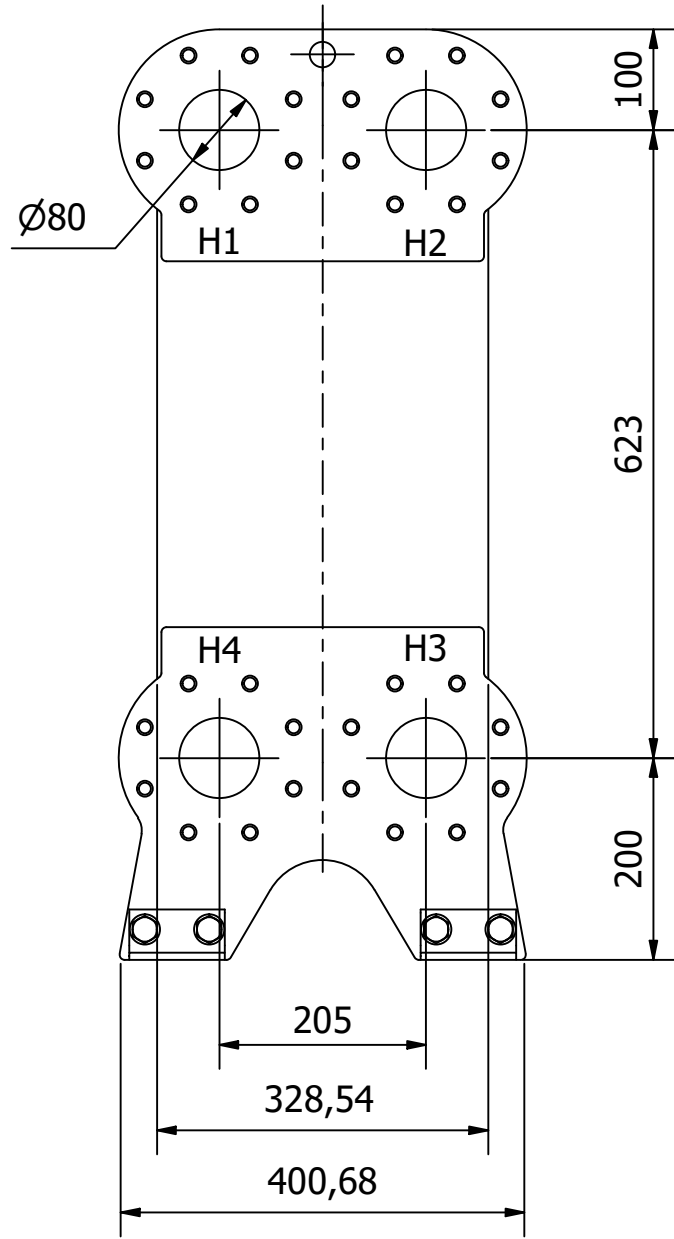


H1 - H4  
DN80 / 3" - PN25 FLANGE



$$L1 = (N \times 2,6) + 12\text{mm}$$

Dimensions without tolerance: ISO 2768-m ISO projektion	Designed by dala	Date 25-05-2021	Rev. no. 00	Rev. by	Material	Weight
	Revision Text				Description: SFB81 BRAZED DIMENSIONAL DRAWING CONNECTIONS DN80 3" (Ø80)	
			Nordager 25 DK-6000 Kolding		Scale 1 : 7,5	Sheet A3
			Drawing no. SFB81 BRAZED DIM DRAW		Sheet 1/1	